

Solar Professorsm



SolarProfessor.info



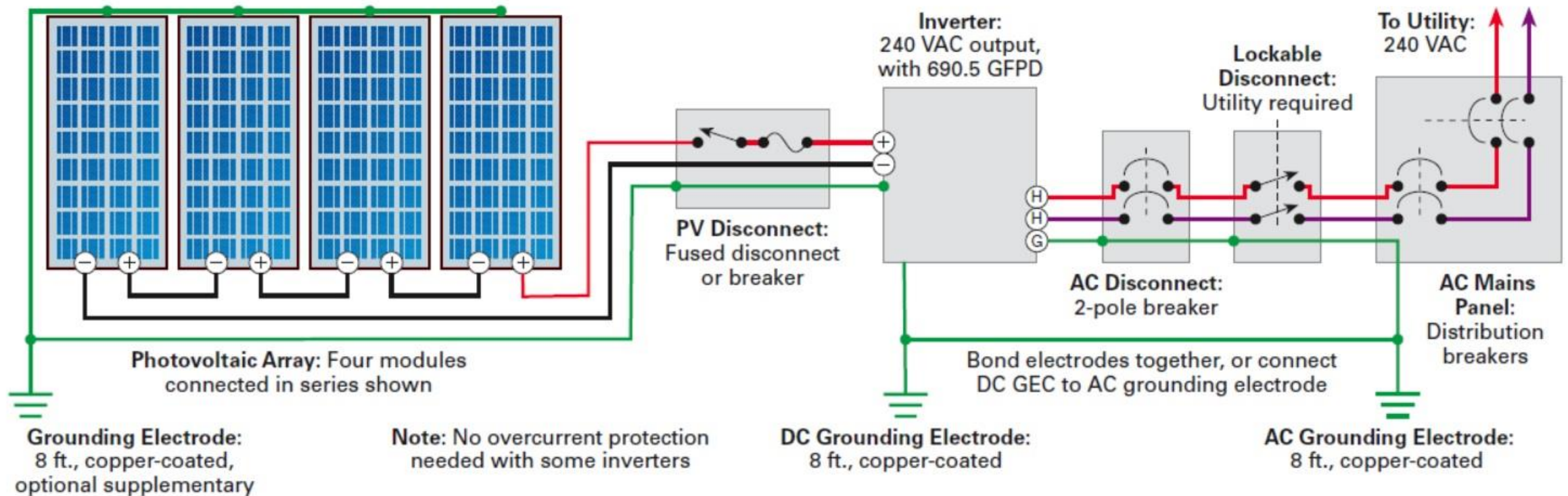
NABCEP – What you need to know

- Bonus - Grounding

Learning Objectives

- A basic understanding of grounding in PV applications
- How to use with sample NABCEP Problems

Grounding for a 240 VAC, Grid-Tied PV System



Definitions

- **Grounding:**

(This is know as the equipment grounding.)

DC is the green or bare copper conductor

AC is the green or bare copper conductor

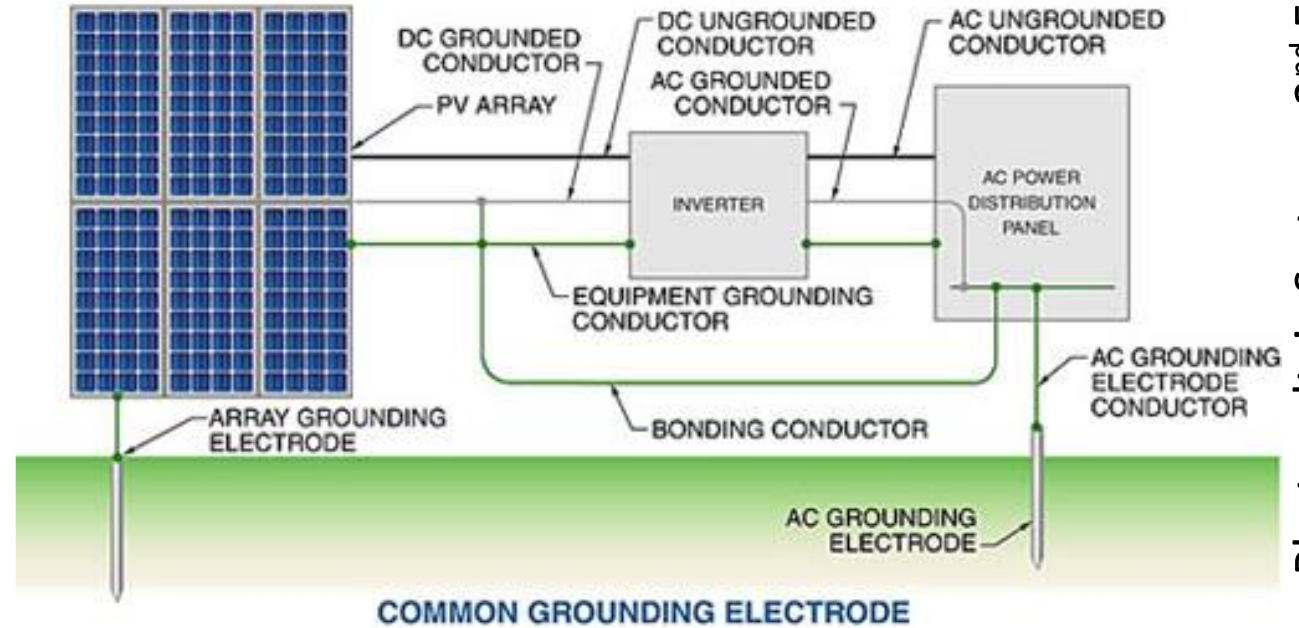
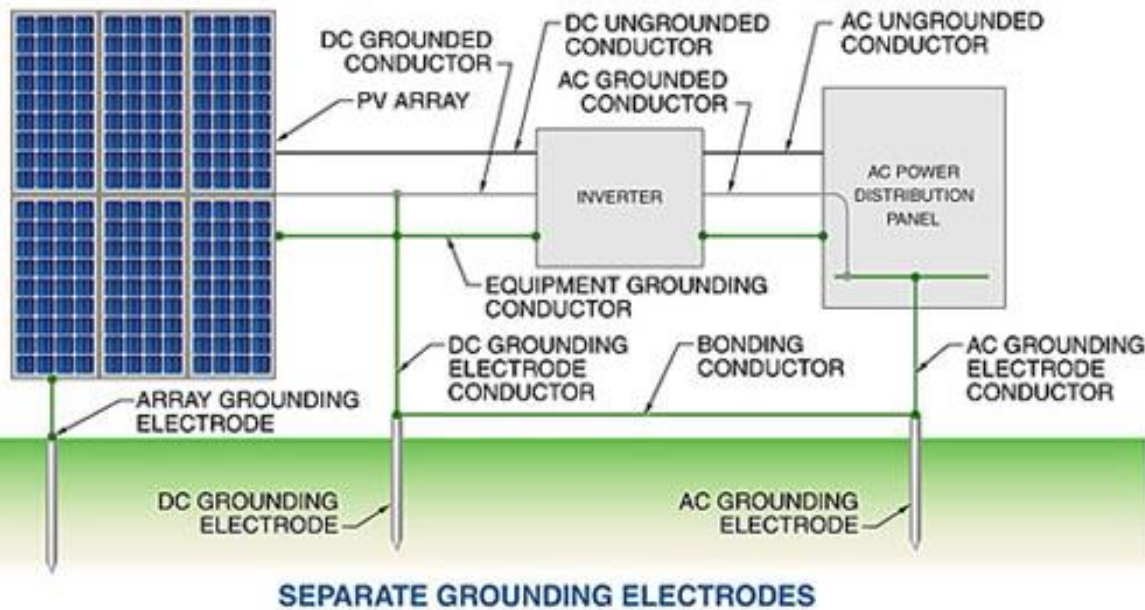
- **Grounded:**

(This is also know as the system ground.)

DC is the black or negative conductor (on most systems)

AC is the white or neutral conductor (it is bonded to the grounding conductor at the main service panel only)

Grounding



SAMPLE NABCEP TYPE QUESTION

Q: What color is the positive conductor?

A: Red (if the negative is black) (or black if the negative is white). Most newer inverter brands are following this red + and black - color configuration.

The word positive gives away the fact that it is on the DC side of the system.

SAMPLE NABCEP TYPE QUESTION

Q: What color is the grounding conductor?

A: Green or bare copper.

SAMPLE NABCEP TYPE QUESTION

Q: What color is the grounded conductor on the AC side of the system?

A: White (this is also know as the neutral).



Thank You

SolarProfessor.info